

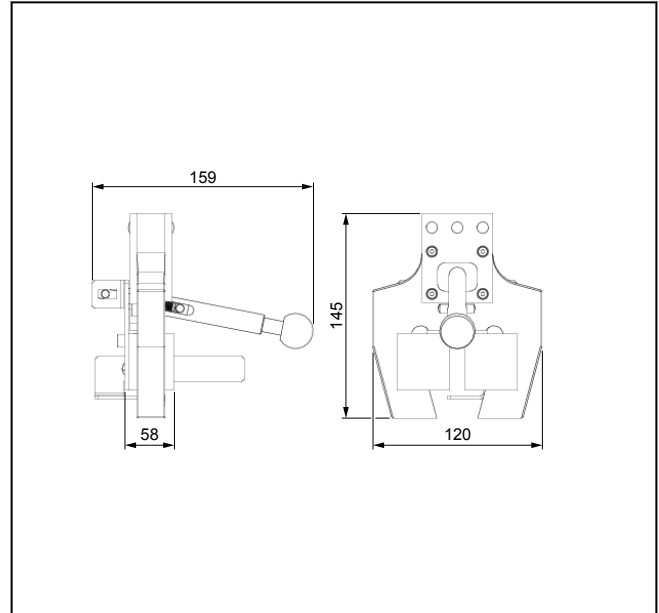
Product Information

Wedge Grips type 8201, Fmax 2.5 kN / 5 kN

CTA: 39884 28962



Wedge grips type 8201 Fmax 5 kN, with optional jaw mountings



Wedge grips type 8201 Fmax 5 kN, general view

Applications

- Specimen material:
metals, plastics, wood
- Specimen shape:
round and flat specimens
- Type of loading:
tensile

Function description

Wedge grips are symmetrically closing specimen grips. Opening and closing plus application of closing force prior to the test is via a lever.

To generate the closing force the wedge grips are equipped with a pre-loaded spring. The gripping force is generated via wedge action and is proportional to the tensile force. The ratio is determined by the wedge angle.

Both upper and lower grips are equipped with a locking device which holds the grips in an open position to allow insertion of the specimen.

In tests with these grips extensometers are used for accurate strain measurement.

Advantages and features

- These wedge grips represent a quick, cost-effective solution, for example for quality assurance.
- The grips always close symmetrically to the tensile axis regardless of specimen thickness.
- Large clamping length allows sensitive specimens to be gripped gently at all times, thereby avoiding jaw breaks.
- The lever is locked when the grips are open, enabling rapid specimen changes.
- Markings on the jaws and centering stops allow for accurate and fast specimen centering.
- Centering stops in conjunction with jaw mountings enable fast, accurate specimen centering.
- Fast and easy insertion of the specimen is achieved through the ergonomic and open design.
- Reliable specimen gripping guaranteed even with varying applications. Large range of jaws allows optimum matching of the grips to your application.

Product Information

Wedge Grips type 8201, Fmax 2.5 kN / 5 kN

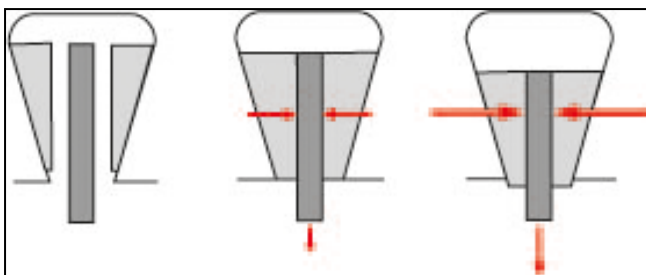
Technical data

Type Item No.	8201 320454	8201 353408	8201 320456	8201 318975	
Test load F _{max}	2.5	2.5	5	5	kN
Dimensions					
Height	145	145	145	145	mm
Width	120	120	120	120	mm
Depth	58	58	58	58	mm
Depth with actuation lever	159	159	159		mm
Depth With actuation lever				159	
Jaws supplied					
Gripping area					
Height	40	-	40	-	mm
Width	32	-	32	-	mm
Surface	Fsc ¹⁾ 0.75	-	Fsc ¹⁾ 0.75	-	mm
Hardness	61 HRC	-	61 HRC	-	
Gripping of the specimen	The specimen must be gripped with at least 2/3 of the jaw height.				
Opening width, max. with jaws	11	-	11	-	mm
Opening width, max. with jaws, thickness 5 mm	-	11 ²⁾	-	11	mm
Weight per specimen grip, approx.	2.4	1.9	2.4	1.9	kg
Connection, stud	Ø 20	Ø 20	Ø 20	Ø 20	mm
Ambient temperature	-40 ... +250	+40 ... +250	-40 ... +250	-40 ... +250	°C
Scope of delivery	1	2	1	2	pieces

1) Fsc = fish scale

2) This opening width results when using the jaw mountings mentioned below and jaws with 5-mm jaw strength.

CTA: 43050



Gripping process with self-tightening wedge grips

Product Information

Wedge Grips type 8201, Fmax 2.5 kN / 5 kN

Accessories required

Flat jaws

Scope of delivery: 1 set (= 4 pieces)

Application	Version	Specimen dimensions Flat specimen, thickness [mm]	Gripping area		Ambient temperature [°C]	Hardness	Item No.
			Height [mm]	Width [mm]			
Plastic, metal, wire, thin sheet metal, textiles, paper, wood, etc.	Steel, fsc ¹⁾ 0.4 mm	0 ... 10	40	32	-40 ... +250	61 HRC	353409
Plastic, metal, wire, thin sheet metal, textiles, paper, wood, etc.	Steel, fsc ¹⁾ 0.75 mm	0 ... 10	40	32	-40 ... +250	61 HRC	318765
Plastic, metal, wire, thin sheet metal, textiles, paper, wood, etc.	Steel, fsc ¹⁾ 1.25 mm	0 ... 10	40	32	-40 ... +250	61 HRC	318767

1) Fsc = fish scale

Jaw mountings

Scope of delivery: 1 set (= 4 pieces)

Description	Item number
Jaw mountings incl. centering stops for jaws type 8287	353410
Jaw mountings incl. centering stops for jaws type 8487	353411